

Gas Fireplaces





Shown with 3" bevelled black trim and standard painted black louvres.

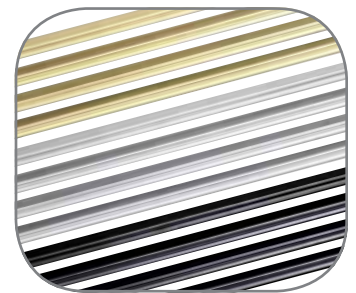
CDV33/34 - Direct Vent

Luxurious Warmth for Small Spaces

This unit is so versatile it can be installed almost anywhere! Its compact size, at 13" deep, allows you to install in the smallest rooms making it perfect for areas with limited space. Available as a rear vent (33) or a top vent (34), making installation possibilities even greater. This smaller unit creates the coziest atmosphere in a room that you will never want to leave! (BCDV33/34 also available offering lower BTU's)



Optional bay front complete with safety pull screen.



Louvre overlays available in polished brass and brushed stainless steel finishes. Painted black louvres are standard.



Shown with Simcoe® mantel in special walnut finish, custom filler panels and standard painted black louvres.



Optional river rock media kit replaces the existing logs for a more contemporary setting.



Four choices for firebox panel options.

CDV36 - Direct Vent Traditional Design

The CDV36 is the most versatile fireplace with hundreds of different decorative options to choose from. With up to 26,000 BTU's and Continental's PHAZER® log set with charcoal embers, it provides plenty of cozy heat – perfect for any room in your home.

Vent free model also available (CVF36*).

*Vent free units are not approved in Canada and some States.



Shown with optional multi-coloured river rock media kit, MIRRO-FLAME® Porcelain Reflective Radiant Panels and standard painted black louvres.

BCDV36 - Direct Vent

Comfortable Warmth

The BCDV36 model offers up to 18,000 BTU's to generate enough heat to comfortably warm any mid-sized room. A wide range of decorative options allows for different designs to suit your decorating style.



Louvre overlays available in polished brass and brushed stainless steel finishes. Painted black louvres come standard.



Realistic PHAZER® log set with charcoal and glowing embers come standard.



BCDV36CF shown with concave diamond dust pewter surround and optional multi-coloured river rock media kit.



Designer surrounds available in luxurious diamond dust pewter or rich brown finishes. Available as wave*, convex* or concave*.



Realistic PHAZER® log set with charcoal and glowing embers are standard.

BCDV36CF - Direct Vent Modern Clean Face

Continental's popular 36" fireplace is available as a clean face unit with a louvre-free view of the firebox. A perfect complement to a crisp, contemporary design with plenty of reliable, cozy heat.

* Wave, concave and convex surrounds measure 38" high and 42" wide and required modified fireplaces clearances (see installation manual)



Shown with concave rich brown surround and LED spectrum light strip set on blue.

BCDV36CFG - Direct Vent Sparkling Fires

It's crystal clear. A clean face design with an exclusive CRYSTALINE™ glass ember bed embraces Continental's collection of contemporary fireplaces. Standard with MIRRO-FLAME™ Porcelain Reflective Radiant Panels and a multi-function LED spectrum light strip, this fireplace provides inspiration to create a hearth experience that focuses on warmth, beauty and style.



Designer surrounds available in luxurious diamond dust pewter or rich brown finishes. Available as wave*, convex* or concave*.



The LED spectrum light strip transitions through an array of colours based on an RGB colour spectrum (sample of the multitude of colours, the entire bed will be the same colour).

* Wave, concave and convex surrounds measure 38" high and 42" wide and required modified fireplaces clearances (see installation manual)



Shown with standard MIRRO-FLAME™ Porcelain Reflective Radiant Panels and painted black louvres.



MIRRO-FLAME™ Porcelain Reflective Radiant Panels that echo flames throughout the firebox come standard.



Real wood burning experience with the multi-level burner and exclusive PHAZER® log set.

BCDV42 - Direct Vent Impressive View

The MIRRO-FLAME™ Porcelain Reflective Radiant Panels, included with the unit, create four spectacular fires in one and fill the large firebox with a beautiful display of YELLOW DANCING FLAMES®. The impressive view, along with exceptional decorative options, furnishes your room with a fireplace admired by all. An excellent choice for comfort and style. Vent free model also available (CVF42*).

*Vent free units are not approved in Canada and some States.



Shown with standard MIRRO-FLAME® Porcelain Reflective Radiant Panels.

BCDV42CF - Direct Vent 42" Clean Face

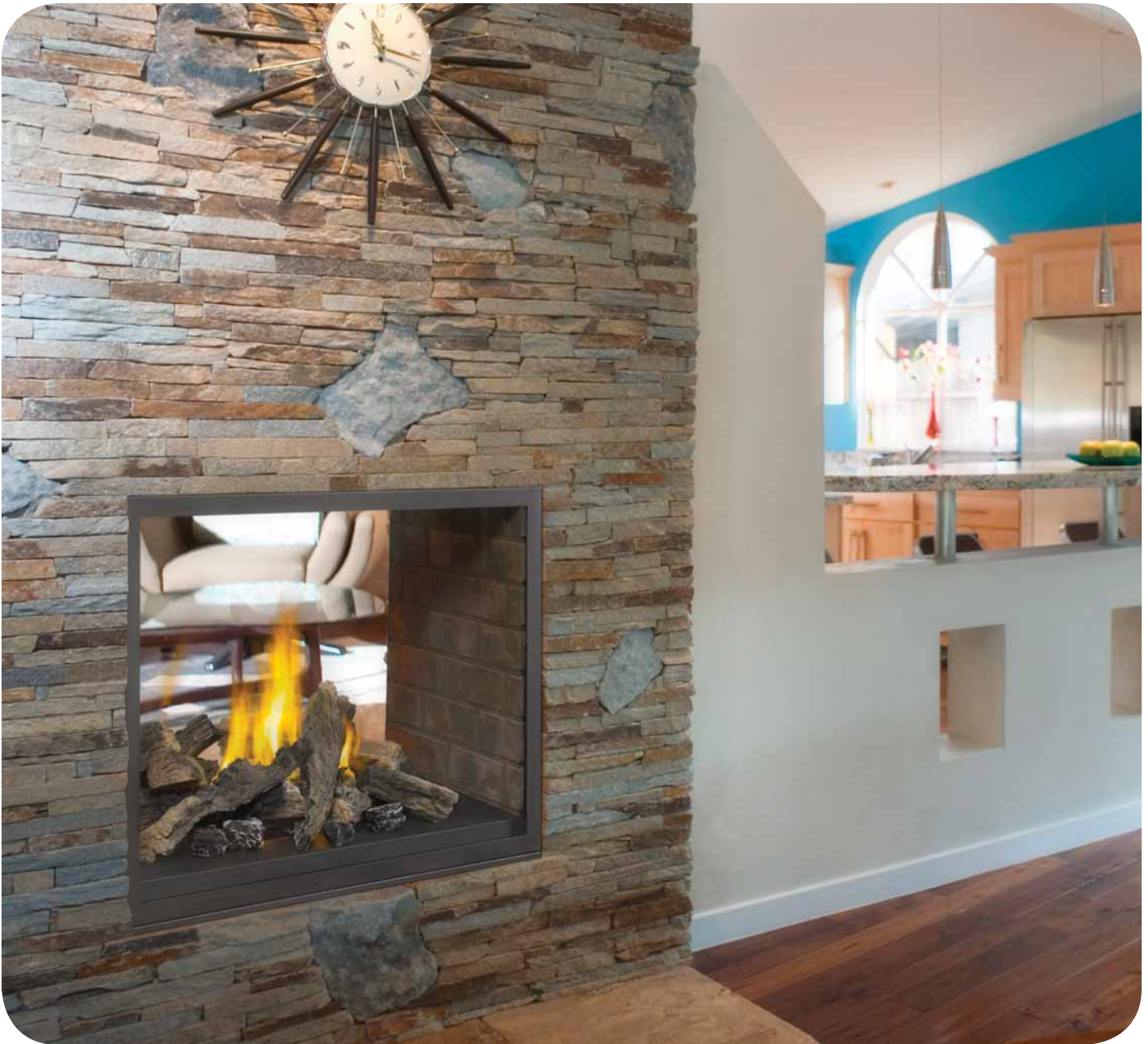
Continental's 42" fireplace is now available as a clean face unit with an impressive louvre-free view of the firebox. With up to 24,000 BTU's and the large firebox, the BCDV42CF is the perfect addition to rooms where a contemporary look and feel is desired, but plenty of cozy heat is required.



MIRRO-FLAME® Porcelain Reflective Radiant Panels that echo flames throughout the firebox are standard.



Real wood burning experience with the multi-level burner and exclusive PHAZER® log set.



CHD4ST log burner shown with optional Newport® deluxe decorative brick panels.



Exclusive Topaz CRYSTALINE™ ember bed are standard with the CHD4PG and CHD4STG models.



PHAZER® log set ember bed are standard with the CHD4P and CHD4ST models.

CHD4 - Multi-View Direct Vent Design Series

The CHD4 is available as a See Thru (CHD4ST) or a three-sided Peninsula (CHD4P) and features two different firebox/burner options, a log burner & a linear topaz glass burner. The CHD4 features 30,000 BTU's, a massive 1,000 sq. in. viewing area per side and electronic ignition with battery back-up. Optional zen modern door kits, contemporary rectangular door kits, media enhancement kits and decorative panels are available to match any room in your home.



Left corner model shown with standard painted black louvres.

BCDV40 - Multi-View Direct Vent Flexible Design

When your design vision is inhibited by installation challenges, you can turn to Continental's Multi-View fireplaces to give you the design flexibility you've been looking for. Two different models are available, a left corner and a right corner model, perfect for adding a focal point to any room in your home.



Decorative Sandstone
brick panels are standard.



Painted black upper and
lower louvres are standard.



Shown with painted black faceplate complete with operable screen doors.



Exclusive PHAZERAMIC[™] advanced burner system.



NIGHT LIGHT[™] illuminates the decorative firebox even when the fireplace is off.

CDV70 - Direct Vent Extreme Comfort and Style

Excellent choice when you need an efficient reliable fireplace but you also want the perfect atmosphere for your family to enjoy for many years. With up to 35,000 BTU's, an outstanding 81% efficiency rating and a 50% flame/heat adjustment for maximum comfort, the CDV70 gives you the reliable heat source you need. The CDV70 also comes complete with an exclusive NIGHT LIGHT[™], a heat resistant ceramic glass door, heat circulating thermostatically controlled blower and PHAZERAMIC[™] advanced burner system providing the most realistic flames in the industry.



Shown with contemporary rectangular surround in painted black finish.

CWHD31 - Direct Vent Wall Hanging Elegance

A modern gas fireplace that hangs on your wall. Ideal for modern and contemporary rooms, Continental's CWHD31 features easy installation plus all of the conveniences of a gas fireplace. Virtually endless installation possibilities, it's almost as easy as hanging a picture on the wall.



Contemporary rectangular surrounds available in painted black and brushed stainless steel finishes.



Exclusive slate brick panels are standard.



Shown with four-sided frame in diamond dust pewter finish, optional river rock media tray and MIRRO-FLAME[®] Ribbed Porcelain Reflective Radiant Panels.



Realistic PHAZER[®] log set with charcoal and glowing embers are standard.



Optional MIRRO-FLAME[®] Ribbed Porcelain Reflective Radiant Panels echo flames throughout the firebox.

CHD35 - Direct Vent 35" High Definition

The simple yet sophisticated style of Continental's CHD35 fireplace provides every comfort you need to create a relaxing environment. The clean face design maximizes the glass area so the realistic flames and log set are enjoyed to their fullest. With up to 25,000 BTU's, the CHD35 generates plenty of cozy heat and can easily turn down to a lower, comfortable setting.



Shown with painted black andirons and MIRRO-FLAME™ Porcelain Reflective Radiant Panels.

CHD40 - Direct Vent 40" High Definition

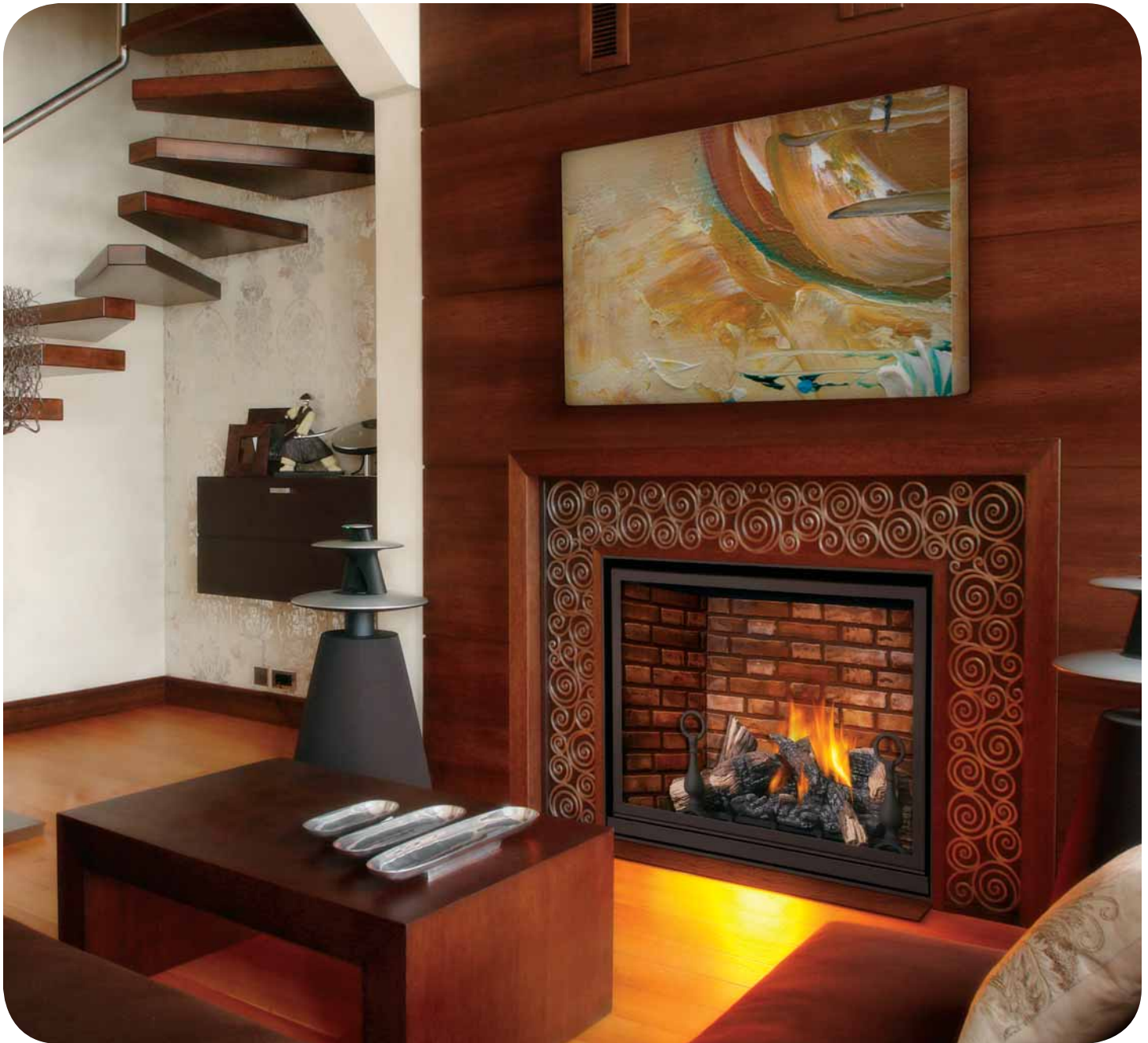
This mid-sized fireplace gives you all the great features of the CHD35 plus offers a wider 40" firebox width with 27,000 BTU's. Two distinct design choices - either a traditional PHAZER® log set which comes standard with the unit or the optional river rock media tray with satin chrome decorative fender that gives you a more contemporary fireplace experience.



River rock media tray with satin chrome decorative fender complete with sand, easily switches out existing logs for a more contemporary look.



Optional painted black faceplate with operable wrought iron finished doors available.



Shown with painted black andirons and Newport® deluxe decorative brick panels.



Optional Newport® deluxe decorative brick panels complement the traditional design.



Exclusive NIGHT LIGHT® radiates a warm glow to the room even when the fireplace is off.

CHDX40 - Direct Vent State-of-the-Art Technology

Inspired by traditional masonry details and created with Continental's state-of-the-art gas fireplace technology, the deluxe CHDX40 offers the ultimate in performance and design. With a 40,000 BTU input, the flames will certainly impress any visitor. The clean face front allows a full view of the impressive 40" wide firebox with your choice of either fine detailed PHAZER® logs and charcoal embers or a river rock ember bed. A perfect investment for your lifestyle and your home.



Shown with painted black andirons and MIRRO-FLAME™ Porcelain Reflective Radiant Panels.

CHD46 - Direct Vent 46" High Definition

The largest in the CHD series and offering up to 30,000 BTU's, the CHD46 provides a substantial focal point for any room. The impressive 46" wide firebox is completely filled with realistic PHAZER® logs that are rich in colour and detail. As with the other CHD fireplaces, you can choose the optional river rock media tray with satin chrome decorative fender to create a dramatic contemporary design element in your home.



River rock media tray with satin chrome decorative fender complete with sand, easily switches out existing logs for a more contemporary look.



Optional MIRRO-FLAME™ Ribbed Porcelain Reflective Radiant Panels echo flames throughout the firebox.



Shown with optional premium brushed stainless steel surround and MIRRO-FLAME® Porcelain Reflective Radiant Panels.



Optional river rock media kits for a natural contemporary setting are available in grey or multi-coloured finishes.



Optional deluxe surrounds available in painted satin brown, painted gloss black and painted gloss white finishes. Optional basic surrounds available in painted flat black finish and optional premium surround available in brushed stainless steel finish.

CLHD45 - Direct Vent Modern, Linear Design

The CLHD45 provides a modern, linear design at an affordable price that pleases both new building and renovation budgets. With unique design options (coloured glass and river rock media enhancement kits), the CLHD45 captures an extraordinary fireplace experience in any room. Perfect for contemporary and open concept rooms.

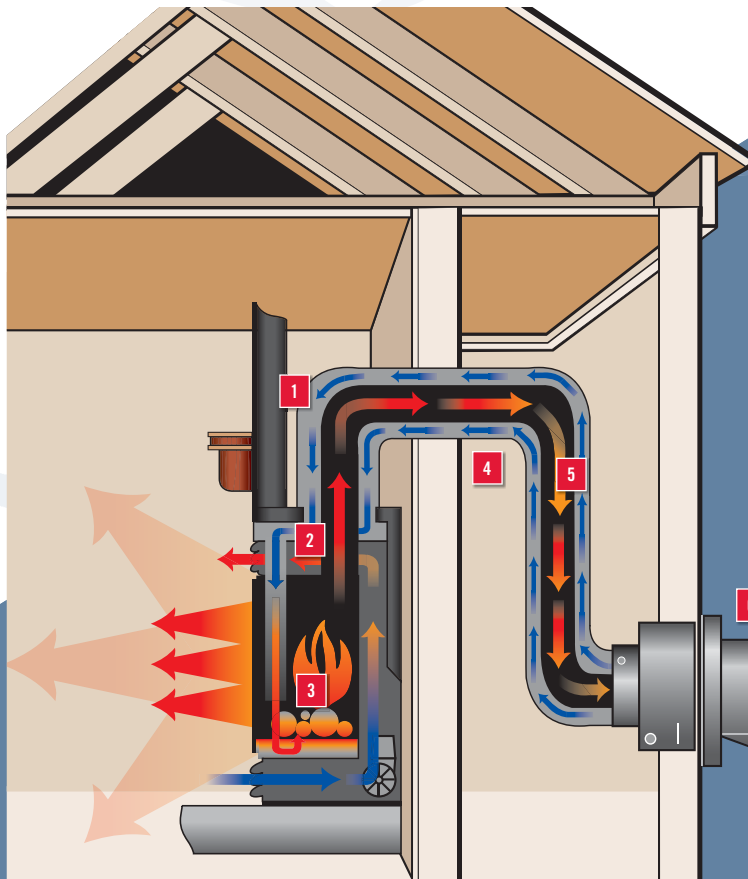
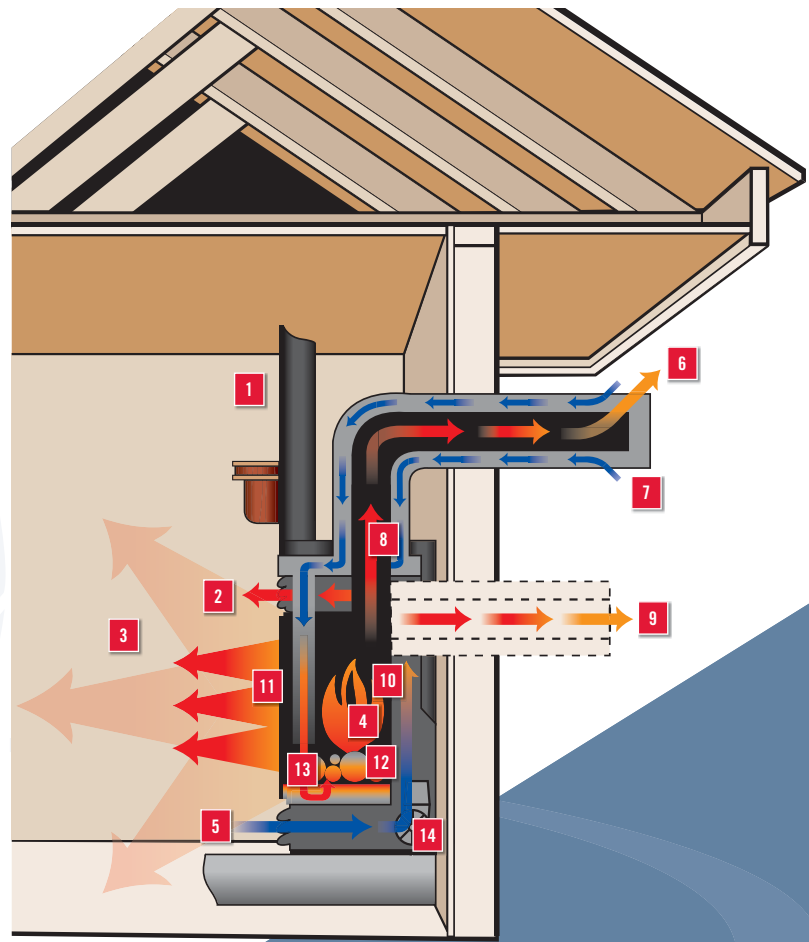
Direct Vent System

With over 36 years of research and development, Continental® Fireplaces have perfected direct vent technology to offer you a fireplace, stove or insert that easily fits into your lifestyle.

With Continental's direct vent technology, you can design and install your fireplace in unique locations where it wasn't possible before with traditional masonry fireplaces. Even your basement can be transformed into a warm, inviting oasis for your family and friends to enjoy.

Whether you are renovating, building or replacing an inefficient fireplace product, Continental® helps guide you in the right direction to find the product that's right for you and your home. Continental® Fireplaces are a smart investment that will bring many years of affordable luxury to you and your family.

- 1 Framing**
Zero clearance to combustible framing.
- 2 Heated Air**
Forced convection heated room air.
- 3 Radiant Heat**
- 4 Burner**
Advanced burner technology produces the most realistic flames in the industry.
- 5 Heat Exchanger**
Cool room air is naturally drawn into the heat exchange chamber.
- 6 Flue Gas Outlet**
- 7 Combustion Air Inlet**
- 8 Heat Exchange**
Efficient heat exchange system.
- 9 Optional Rear Exhaust**
(Selected models)
- 10 Sealed Combustion Chamber**
- 11 Glass**
High heat ceramic or tempered glass increases the radiant heat that is dispersed throughout the room. Save up to 30% on energy costs with radiant heat and Zone Heating.
- 12 Panels**
MIRRO-FLAME® Porcelain Reflective Radiant Panels further increases radiant heat. (Optional on selected models)
- 13 Advanced Ceramic Burner System**
(Selected models)
- 14 Blower**
Optional air circulating variable speed blower with high temperature bearings increases efficient heating.



Direct Vent Power Venting System Freedom and Versatility

Continental's new power venting system allows more freedom and versatility for direct vent installations. The option of having the termination above or below the fireplace, along with the ability to "snake" either up or down, allows installation when the desired fireplace location is a great distance away from an outside wall. The blower that pulls the burned gases from the fireplace is mounted outside at the terminal which provides WHISPER QUIET® operation inside the home.

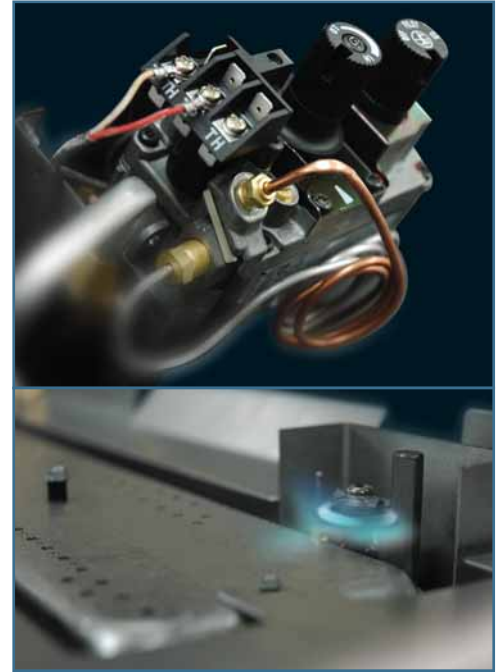
- 1 Exhaust**
Suitable for exhaust products with various vent diameters.
- 2 Adjustments**
Adjustments inside fireplace only.
- 3 Durability**
Installation friendly, maintenance free construction.
- 4 Versatility**
Ability to "snake" either up, down or around objects (ie; behind stairways).
- 5 Simplicity**
No hoses to blower.
- 6 Blower**
Blower mounted outside at terminal with WHISPER QUIET® operation.
- 7 Freedom**
Terminates above or below the fireplace to allow more freedom and versatility for direct vent installations.

Outstanding Features of Continental's Advanced Technology



Advanced Burner Technology

Continental's sophisticated burner system offers superior flame technology. Strategically placed burner ports create the most realistic flames in the industry.



Finely Tuned Precision Valves

Surrounded with a protective cast aluminum jacket, the precision valves allow for ultimate reliability and 100% SAFE GUARD[™] gas control system.



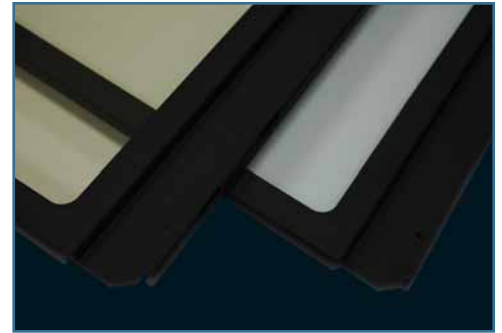
True Masonry Details

Continental's ceramic fibre brick panels with true masonry texture and details help transfer additional heat, radiating out from the firebox.



Outstanding Craftsmanship

Fine details are designed in every aspect of Continental[®] fireplaces... individually handcrafted with pride of excellence.



Superior Heat Resistant Glass

Ceramic and tempered glass are made to withstand high temperatures, allowing maximum radiant heat, performance and safety.



WHISPER QUIET[™] Heat Circulating Blower System

The extreme heat resistant "H" class bearings featured in Continental's superior heat circulating blower, creates a lasting "whole home" comfort with adjustable high and low speeds.



Safety Screens

Safety screens are available to protect children, pets and visitors against inadvertent contact with glass. Glass and unit temperature can get very hot.



Convenient Remote Controls

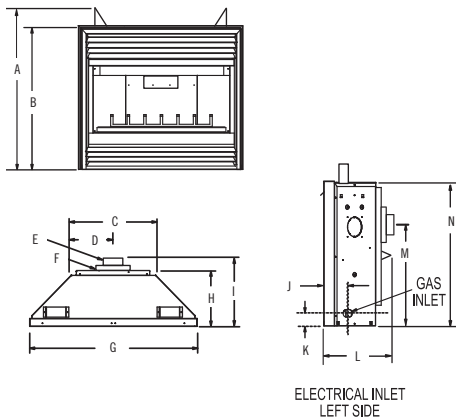
Remote controls with digital read out and modulating control give you the comfort level you need at the touch of a button.

CDV33/34

Features & Benefits

- 470 sq. in. glass area
- Compact size and 13" depth allows installation in the smallest rooms
- Available as a rear vent (CDV33) or top vent (CDV34)
- Fuel saving electronic ignition is available
- Exclusive PHAZER® log set with charcoal and glowing embers
- Heat resistant ceramic glass radiates heat back into the room
- Black door and black (upper & lower) louvres come standard
- On/off or modulating remote controls available
- Approved for bedrooms, bathrooms, bed sitting rooms and mobile homes
- Available in natural gas or propane (LP)
- Optional bay front complete with pull screen and other decorative accessories available
- Backed by the President's Limited Lifetime Warranty

	BCDV33	BCDV34	CDV33	CDV34
BTU's (Input)	15,000	15,000	22,000	22,000
Venting	Rear 4" & 7"	Top 4" & 7"	Rear 4" & 7"	Top 4" & 7"
Glass Type	Tempered	Tempered	Ceramic	Ceramic
Glass Size				
Height	15 5/8"	15 5/8"	15 5/8"	15 5/8"
Width	30 1/8"	30 1/8"	30 1/8"	30 1/8"
Efficiencies				
EnerGuide	59.1%	53.6%	64.6%	54.0%
AFUE	-	-	63%	-
Steady State	71%	78%	79.4%	81.3%
Mobile Home Certified	Yes	Yes	Yes	Yes



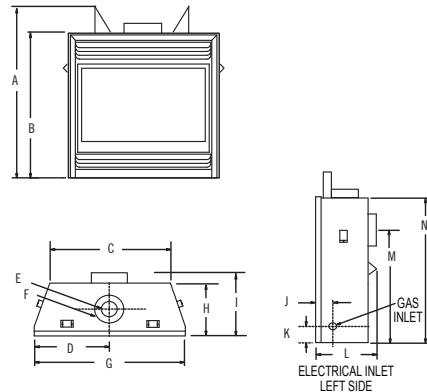
	A	B	C	D	E	F	G	H	I	J	K	L	M	N
BCDV33	33"	29 3/4"	17"	8 1/2"	4" DIA.	7" DIA.	34 1/4"	11"	13 1/2"	5 3/4"	2 3/8"	13"	20 1/4"	29"
BCDV34	33"	29 3/4"	17"	8 1/2"	4" DIA.	7" DIA.	34 1/4"	11"	13"	5 3/4"	2 3/8"	13"	-	29"
CDV33	35"	29 3/4"	17"	8 1/2"	4" DIA.	7" DIA.	34 1/4"	11"	13 1/2"	5 3/4"	2 3/8"	13"	20 1/4"	29"
CDV34	33"	29 3/4"	17"	8 1/2"	4" DIA.	7" DIA.	34 1/4"	11"	13"	5 3/4"	2 3/8"	13"	-	29"

CDV36

Features & Benefits

- 594 sq. in. glass area
- Fuel saving electronic ignition is available
- Exclusive PHAZER® log set with charcoal and glowing embers
- Switch out your existing log set with the optional river rock media kit
- Black door and black (upper & lower) louvres come standard
- Heat resistant ceramic glass radiates heat back into the room
- Multitude of optional decorative accessories allow hundreds of different design choices
- On/off or modulating remote controls available
- Approved for bedrooms, bathrooms, bed sitting rooms and mobile homes
- Available in natural gas or propane (LP)
- Backed by the President's Limited Lifetime Warranty

	CDV36	CVF36*
BTU's (Input)	26,000	30,000
Venting	Top or Rear 4" & 7"	n/a
Glass Type	Ceramic	n/a
Glass Size		
Height	19"	n/a
Width	31 1/4"	n/a
Efficiencies		
EnerGuide	66.4%	-
AFUE	65%	-
Steady State	86%	99.9%
Mobile Home Certified	Yes	Yes



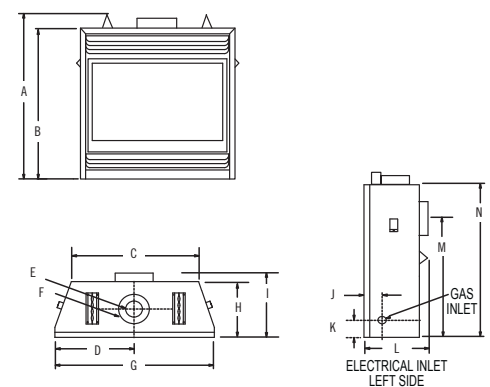
	A	B	C	D	E	F	G	H	I	J	K	L	M	N
CDV36	38 1/2"	33"	27"	18 1/2"	4" DIA.	7" DIA.	37 1/4"	12 1/4"	14 1/4"	5 1/2"	3"	14 1/4"	24 1/4"	32 3/4"
CVF36*	35 1/2"	33"	27"	-	-	-	37 1/4"	12 1/4"	13 1/4"	5 1/2"	3"	-	-	33"

BCDV36

Features & Benefits

- 594 sq. in. glass area
- Fuel saving electronic ignition is available
- Exclusive PHAZER® log set with charcoal and glowing embers
- Switch out your existing log set with the optional river rock media kit
- Black door and black (upper & lower) louvres come standard
- Multitude of optional decorative accessories allow hundreds of different design choices
- On/off or modulating remote controls available
- Approved for bedrooms, bathrooms, bed sitting rooms and mobile homes
- Available in natural gas or propane (LP)
- Backed by the President's Limited Lifetime Warranty

	BCDV36
BTU's (Input)	18,000
Venting	Top or Rear 4" & 7"
Glass Type	Tempered
Glass Size	
Height	19"
Width	31 1/4"
Efficiencies	
EnerGuide	59.4%
AFUE	53%
Steady State	59%
Mobile Home Certified	Yes



	A	B	C	D	E	F	G	H	I	J	K	L	M	N
BCDV36	35 1/2"	32 3/4"	27"	18"	4" DIA.	7" DIA.	36"	12 1/4"	14 1/4"	5 1/2"	3"	14 1/4"	24 1/4"	32 3/4"

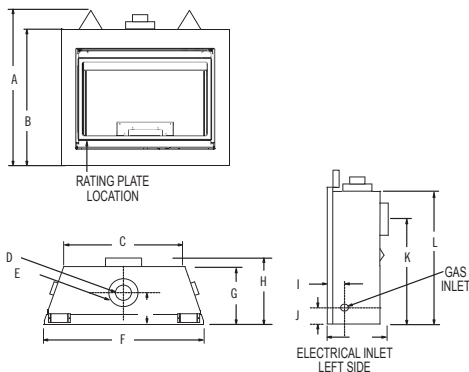


BCDV36CF

Features & Benefits

- 594 sq. in. glass area
- Fuel saving electronic ignition is available
- Clean face front with easy access compartment door
- Exclusive PHAZER™ log set with charcoal and glowing embers
- Switch out your existing log set with the optional river rock media kit
- On/off or modulating remote controls available
- Optional decorative accessories and surrounds available
- Approved for bedrooms, bathrooms, bed sitting rooms and mobile homes
- Available in natural gas or propane (LP)
- Backed by the President's Limited Lifetime Warranty

	BCDV36CF
BTU's (Input)	17,000
Venting	Top or Rear 4" & 7"
Glass Type	Tempered
Glass Size	
Height	19"
Width	31 1/4"
Efficiencies	
EnerGuide	59.4%
AFUE	53%
Steady State	64%
Mobile Home Certified	Yes



	A	B	C	D	E	F	G	H	I	J	K	L
BCDV36CF	38 1/2"	34"	27"	4" DIA.	7" DIA.	40"	15"	17"	8"	3"	24 1/4"	33"

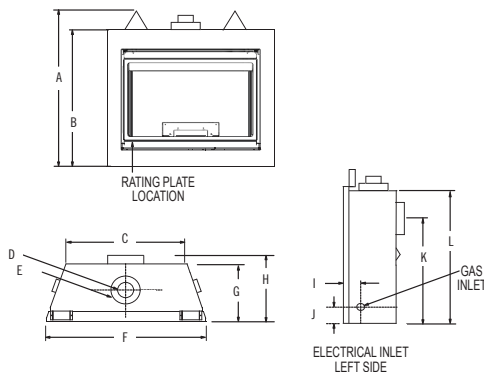


BCDV36CFG

Features & Benefits

- 594 sq. in. glass area
- Fuel saving electronic ignition comes standard
- Clean face front with easy access compartment door
- Sparkling CRYSTALINE™ ember bed comes standard
- LED light strip based on an RGB colour spectrum transitions between colours or can be set to the colour of your choice, including white
- MIRRO-FLAME™ Porcelain Reflective Radiant Panels come standard
- On/off or modulating remote controls available
- Optional decorative accessories including designer surrounds available
- Approved for bedrooms, bathrooms, bed sitting rooms and mobile homes
- Available in natural gas or propane (LP)
- Backed by the President's Limited Lifetime Warranty

	BCDV36CFG
BTU's (Input)	17,000
Venting	Top or Rear 4" & 7"
Glass Type	Tempered
Glass Size	
Height	19"
Width	31 1/4"
Efficiencies	
EnerGuide	59.4%
AFUE	53%
Steady State	64%
Mobile Home Certified	Yes



	A	B	C	D	E	F	G	H	I	J	K	L
BCDV36CFG	38 1/2"	34"	27"	4" DIA.	7" DIA.	40"	15"	17"	8"	3"	24 1/4"	33"

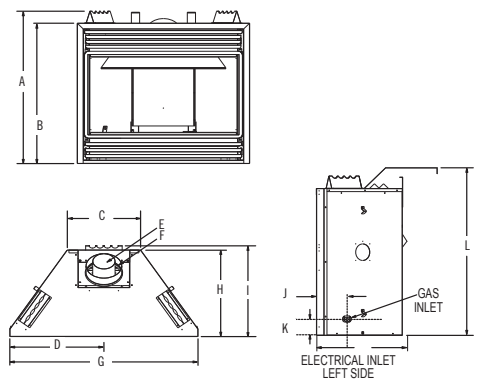


BCDV42

Features & Benefits

- 802 sq. in. glass area
- Fuel saving electronic ignition is available
- Exclusive PHAZER™ log set with charcoal and glowing embers
- Multi-level pan burner with advanced flame technology
- MIRRO-FLAME™ Porcelain Reflective Radiant Panels come standard
- Black door and black (upper & lower) louvers come standard
- On/off or modulating remote controls available
- Approved for bedrooms, bathrooms, bed sitting rooms and mobile homes
- Available in natural gas or propane (LP)
- Backed by the President's Limited Lifetime Warranty

	BCDV42	CVF42*
BTU's (Input)	28,500	30,000
Venting	45° Top or Rear 5" & 8"	n/a
Glass Type	Tempered	n/a
Glass Size		
Height	21 1/4"	n/a
Width	37 3/4"	n/a
Efficiencies		
EnerGuide	57.6%	-
AFUE	-	-
Steady State	69%	99.9%
Mobile Home Certified	Yes	Yes



	A	B	C	D	E	F	G	H	I	J	K	L
BCDV42	38 1/2"	35 1/2"	16 1/2"	21"	5" DIA.	8" DIA.	42"	20"	22"	5 1/2"	3"	40 1/2"
CVF42*	38 1/2"	35 1/2"	16 1/2"	-	-	-	42"	20"	22"	5 1/2"	3"	-

*Vent free not approved in Canada and some States. Figures may vary with individual conditions such as floor plan layout, insulation value/heat loss of the house and geographical location. Consult your owner's manual for complete and up-to-date installation instructions and proper clearances to combustible materials.

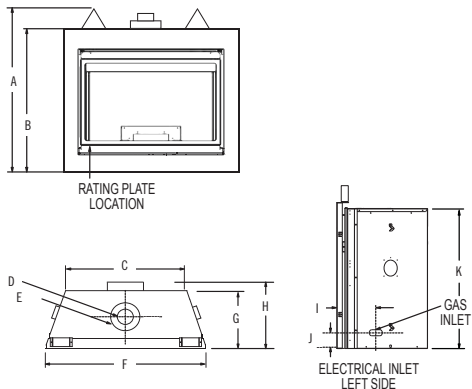


BCDV42CF

Features & Benefits

- 802 sq. in. glass area
- Fuel saving electronic ignition is available
- Clean face front with easy access compartment door
- Exclusive PHAZER® log set with charcoal and glowing embers
- MIRRO-FLAME™ Porcelain Reflective Radiant Panels come standard
- On/off or modulating remote controls available
- Approved for bedrooms, bathrooms, bed sitting rooms and mobile homes
- Available in natural gas or propane (LP)
- Backed by the President's Limited Lifetime Warranty

	BCDV42CF
BTU's (Input)	24,000
Venting	45° Top or Rear 5" & 8"
Glass Type	Tempered
Glass Size	
Height	21 1/4"
Width	37 3/4"
Efficiencies	
EnerGuide	54.2%
AFUE	-
Steady State	67%
Mobile Home Certified	Yes



	A	B	C	D	E	F	G	H	I	J	K
BCDV42CF	41 1/2"	37"	20 1/2"	5" DIA.	8" DIA.	46"	23"	25"	5 1/2"	3"	35 1/2"

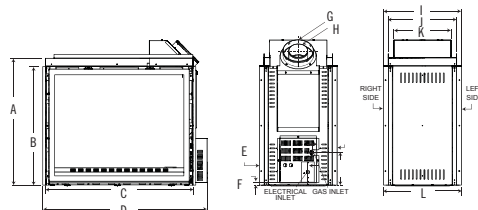


CHD4 See Thru

Features & Benefits

- 2024 sq. in. glass area
- Available with a log burner (CHD4ST) or a linear topaz glass burner (CHD4STG)
- Optional hearth pad available for log versions
- Optional Newport™ panels or MIRRO-FLAME™ Porcelain Reflective Radiant Panels available
- Optional media enhancement kits of coloured glass embers (black, blue, red and amber) and designer fire art (nickel stix and metal coil) available
- Optional zen modern door kit with operable doors in gun metal grey and textured black finishes
- Optional contemporary rectangular front in gun metal grey and porcelain black finishes
- Optional three piece trim kit in black
- Optional safety screen (optional front required)
- Available in natural gas (propane conversion kit available)
- Backed by the President's Limited Lifetime Warranty

	CHD4ST	CHD4STG
BTU's (Input)	30,000	30,000
Venting	Top or Rear 5" & 8"	Top or Rear 5" & 8"
Glass Type	Tempered	Tempered
Glass Size		
Height - End	n/a	n/a
Width - End	n/a	n/a
Height - Face	28 1/2"	28 1/2"
Width - Face	35 1/2"	35 1/2"
Efficiencies		
EnerGuide	67.9%	67.9%
AFUE	66.98%	66.98%
Steady State	69.3%	69.3%
Mobile Home Certified	Yes	Yes



	A	B	C	D	E	F	G	H	I	J	K	L
CHD4ST	32 3/4"	30 3/4"	38 3/4"	42 3/4"	13 3/4"	1 3/4"	8"	5"	20 1/2"	17 3/4"	14 3/4"	20 1/4"
CHD4STG	32 3/4"	30 3/4"	38 3/4"	42 3/4"	13 3/4"	1 3/4"	8"	5"	20 1/2"	17 3/4"	14 3/4"	20 1/4"

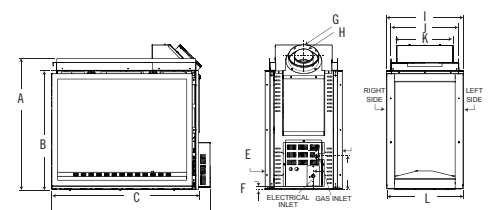


CHD4 Penninsula

Features & Benefits

- 2485 sq. in. glass area
- Available with a log burner (CHD4P) or a linear topaz glass burner (CHD4PG)
- Optional hearth pad available for log versions
- Optional Newport™ panels or MIRRO-FLAME™ Porcelain Reflective Radiant Panels available
- Optional media enhancement kits of coloured glass embers (black, blue, red and amber) and designer fire art (nickel stix and metal coil) available
- Optional seven piece trim kit in black
- Available in natural gas (propane conversion kit available)
- Backed by the President's Limited Lifetime Warranty

	CHD4P	CHD4PG
BTU's (Input)	30,000	30,000
Venting	Top or Rear 5" & 8"	Top or Rear 5" & 8"
Glass Type	Tempered	Tempered
Glass Size		
Height - End	27 1/8"	27 1/8"
Width - End	17"	17"
Height - Face	28 1/2"	28 1/2"
Width - Face	35 1/2"	35 1/2"
Efficiencies		
EnerGuide	67.9%	67.9%
AFUE	66.98%	66.98%
Steady State	69.3%	69.3%
Mobile Home Certified	Yes	Yes



	A	B	C	D	E	F	G	H	I	J	K	L
CHD4P	32 3/4"	30 3/4"	36 1/4"	41 1/4"	13 3/4"	1 3/4"	8"	5"	20 1/2"	17 3/4"	14 3/4"	20 1/4"
CHD4PG	32 3/4"	30 3/4"	36 1/4"	41 1/4"	13 3/4"	1 3/4"	8"	5"	20 1/2"	17 3/4"	14 3/4"	20 1/4"

*Vent free not approved in Canada and some States. Figures may vary with individual conditions such as floor plan layout, insulation value/heat loss of the house and geographical location. Consult your owner's manual for complete and up-to-date installation instructions and proper clearances to combustible materials.

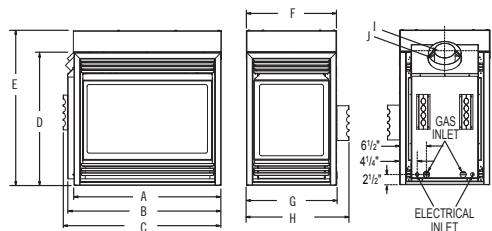


BCDV40 Corner

Features & Benefits

- 945 sq. in. glass area
- Fuel saving electronic ignition with battery back-up
- Exclusive PHAZER™ log set with charcoal and glowing embers
- PHAZERAMIC™ advanced burner system produces realistic YELLOW DANCING FLAMES™
- Black door and black (upper & lower) louvres come standard
- Decorative brick panels come standard
- On/off or modulating remote controls available
- Approved for bedrooms, bathrooms, bed sitting rooms and mobile homes
- Available in natural gas or propane (LP)
- Backed by the President's Limited Lifetime Warranty

	BCDV40
BTU's (Input)	30,000
Venting	45° Top or Rear 5" & 8"
Glass Type	Tempered
Glass Size	
Height - End	19 3/8"
Width - End	17 1/8"
Height - Face	19 3/8"
Width - Face	31 5/8"
Efficiencies	
EnerGuide	66.8%
AFUE	-
Steady State	68%
Mobile Home Certified	Yes



	A	B	C	D	E	F	G	H	I	J
BCDV40	36"	37 1/4"	38 3/4"	32 1/2"	38"	22 1/4"	22 1/4"	25 1/2"	5" DIA.	8" DIA.

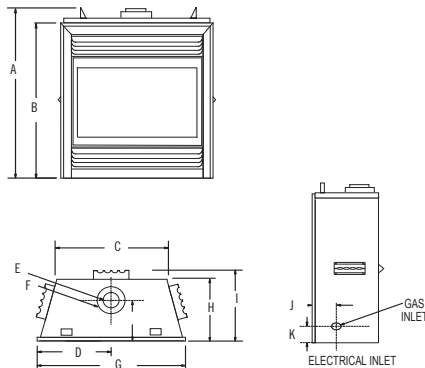


CDV70

Features & Benefits

- 727 sq. in. glass area
- 50% flame/heat adjustment for maximum comfort and efficiency
- Fuel saving electronic ignition is available
- Exclusive PHAZER™ log set with charcoal and glowing embers
- PHAZERAMIC™ advanced burner system produces realistic YELLOW DANCING FLAMES™
- Heat resistant ceramic glass radiates heat back into the room
- Exclusive NIGHT LIGHT™ (illuminating the firebox even when the fireplace is off) comes standard
- Comes complete with heat circulating blower with variable speed and thermostatic control
- On/off or modulating remote controls available
- Optional decorative accessories and firebox panel choices
- Approved for bedrooms, bathrooms, bed sitting rooms and mobile homes
- Available in natural gas or propane (LP)
- Backed by the President's Limited Lifetime Warranty

	CDV70
BTU's (Input)	35,000
Venting	Top 4" & 7"
Glass Type	Ceramic
Glass Size	
Height	23"
Width	31 5/8"
Efficiencies	
EnerGuide	53.6%
AFUE	65%
Steady State	81%
Mobile Home Certified	Yes



	A	B	C	D	E	F	G	H	I	J	K
CDV70	41 1/2"	36"	24"	18 1/4"	4" DIA.	7" DIA.	37 1/4"	16"	18"	7"	4"

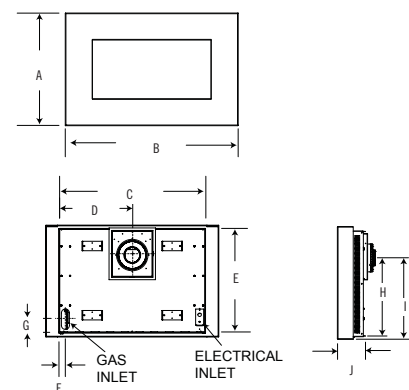


CWHD31

Features & Benefits

- 520 sq. in. glass area
- Clean, contemporary design
- Fuel saving electronic ignition with battery back-up
- Exclusive Topaz CRYSTALLINE™ ember bed
- 20" rigid venting included with unit (CWHD31)
- Rectangular surrounds available in painted black and brushed stainless steel finishes
- Easily hangs on the wall and comes complete with wall mounting brackets (mounting screws not supplied)
- On/off or modulating remote controls available
- Optional LED light kit (two) & safety screen
- Approved for bedrooms, bathrooms, bed sitting rooms and mobile homes
- Available in natural gas or propane (LP)
- Backed by the President's Limited Lifetime Warranty

	CWHD31
BTU's (Input)	20,000
Venting	Rear 4" & 7"
Glass Type	Ceramic
Glass Size	
Height	16 1/2"
Width	31 1/2"
Efficiencies	
EnerGuide	65.2%
AFUE	68.6%
Steady State	68.9%
Mobile Home Certified	Yes



	A	B	C	D	E	F	G	H	I	J
CWHD31	28"	43 1/2"	36 1/4"	18 3/4"	27"	1 1/2"	3 1/2"	20 1/4"	20 1/2"	7 1/4"

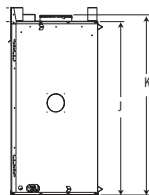
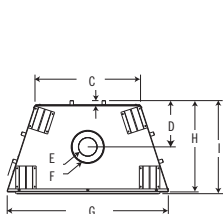
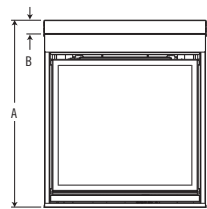


CHD35

Features & Benefits

- 879 sq. in. glass area
- 43% flame/heat adjustment for maximum comfort and efficiency
- Clean, contemporary design
- Fuel saving electronic ignition with battery back-up
- Exclusive PHAZER® glowing log set with charcoal and glowing embers
- Switch out your existing log set with the optional river rock media tray
- Unique firebox panels available
- Media enhancement kits of coloured glass (black, blue, red, clear & amber) and GEO Shapes are designed to enhance the river rock firebox base
- Trim kits, four-sided frames and decorative faceplate with operable screen doors available
- On/off or modulating remote controls available
- Approved for bedrooms, bathrooms, bed sitting rooms and mobile homes
- Available in natural gas or propane (LP)
- Backed by the President's Limited Lifetime Warranty

	CHD35
BTU's (Input)	25,000
Venting	Top 4" & 7"
Glass Type	Tempered
Glass Size	
Height	28 1/8"
Width	31 1/4"
Efficiencies	
EnerGuide	63.3%
AFUE	64.4%
Steady State	82.1%
Mobile Home Certified	Yes



	A	B	C	D	E	F	G	H	I	J	K
CHD35	41"	3"	23"	10 1/2"	4" DIA.	7" DIA.	35 1/4"	20"	20 1/2"	38"	39 1/4"

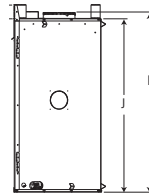
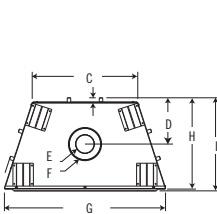
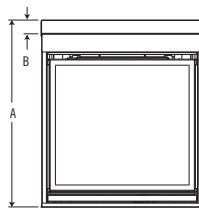


CHD40

Features & Benefits

- 1008 sq. in. glass area
- 43% flame/heat adjustment for maximum comfort and efficiency
- Clean, contemporary design
- Fuel saving electronic ignition with battery back-up
- Exclusive PHAZER® log set with charcoal and glowing embers
- Switch out your existing log set with the optional river rock media tray
- Unique firebox panels available
- Media enhancement kits of coloured glass (black, blue, red, clear & amber) and GEO Shapes are designed to enhance the river rock firebox base
- Trim kits, four-sided frames and decorative faceplate with operable screen doors available
- On/off or modulating remote controls available
- Approved for bedrooms, bathrooms, bed sitting rooms and mobile homes
- Available in natural gas or propane (LP)
- Backed by the President's Limited Lifetime Warranty

	CHD40
BTU's (Input)	27,000
Venting	Top 4" & 7"
Glass Type	Tempered
Glass Size	
Height	28"
Width	36"
Efficiencies	
EnerGuide	64.3%
AFUE	65.6%
Steady State	76.3%
Mobile Home Certified	Yes



	A	B	C	D	E	F	G	H	I	J	K
CHD40	41"	3"	28"	10 1/2"	4" DIA.	7" DIA.	40 1/4"	20"	20 1/2"	38"	39 1/4"

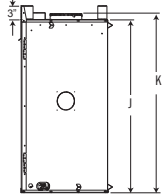
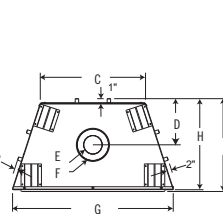
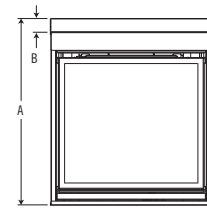


CHDX40

Features & Benefits

- 1008 sq. in. glass area
- 54% flame/heat adjustment for maximum comfort and efficiency
- Clean face design
- Fuel saving electronic ignition with battery back-up and built-in adjustable flame/heat control comes standard
- Exclusive NIGHT LIGHT™ feature comes standard
- Your choice of exquisite, fine detailed PHAZER® logs and charcoal embers or a stunning river rock media tray with satin chrome decorative fender
- Media enhancement kits of coloured glass (black, blue, red, clear & amber) and GEO Shapes are designed to enhance the river rock firebox base
- Trim kits, four-sided frames and decorative faceplate with operable screen doors available
- On/off or modulating remote controls available
- Approved for bedrooms, bathrooms, bed sitting rooms and mobile homes
- Available in natural gas or propane (LP)
- Backed by the President's Limited Lifetime Warranty

	CHDX40
BTU's (Input)	40,000
Venting	Top 5" & 8"
Glass Type	Ceramic
Glass Size	
Height	28"
Width	36"
Efficiencies	
EnerGuide	56.6%
AFUE	59.5%
Steady State	61.5%
Mobile Home Certified	Yes



	A	B	C	D	E	F	G	H	I	J	K
CHDX40	41"	3"	28"	10 1/2"	5" DIA.	8" DIA.	40 1/4"	20"	20 1/2"	38"	39 1/4"

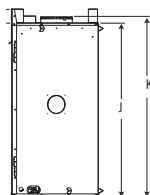
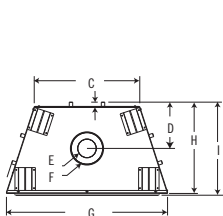
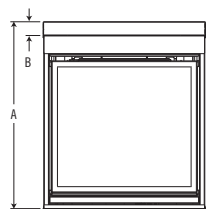


CHD46

Features & Benefits

- 1176 sq. in. glass area
- Up to 43% flame/heat adjustment for maximum comfort and efficiency
- Clean, contemporary design
- Fuel saving electronic ignition with battery back-up
- Exclusive PHAZER® log set with charcoal and glowing embers (comes with extra PHAZER® logs)
- Switch out your existing log set with the optional river rock media tray
- Unique firebox panels available
- Media enhancement kits of coloured glass (black, blue, red, clear & amber) and GEO Shapes are designed to enhance the river rock firebox base
- Trim kits, four-sided frames and decorative faceplate with operable screen doors available
- On/off or modulating remote controls available
- Approved for bedrooms, bathrooms, bed sitting rooms and mobile homes
- Available in natural gas or propane (LP)
- Backed by the President's Limited Lifetime Warranty

	CHD46
BTU's (Input)	30,000
Venting	Top 4" & 7"
Glass Type	Tempered
Glass Size	
Height	28"
Width	42"
Efficiencies	
EnerGuide	65.1%
AFUE	67.7%
Steady State	79.2%
Mobile Home Certified	Yes



	A	B	C	D	E	F	G	H	I	J	K
CHD46	41"	3"	34"	10 1/2"	4" DIA.	7" DIA.	46 3/4"	20"	20 1/2"	38"	39 3/4"

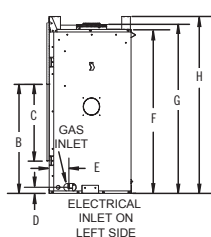
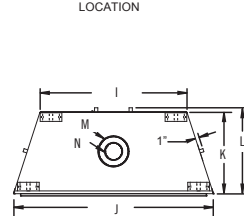
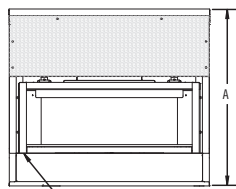


CLHD45

Features & Benefits

- 728 sq. in. glass area
- Clean, contemporary design
- Fuel saving electronic ignition with battery back-up comes standard
- Heat resistant glass radiates heat back into the room
- Power venting is available to allow for unique venting installations
- On/off or modulating remote controls available
- Optional basic, deluxe and premium four-sided surrounds come complete with safety screen
- Optional designer fire art is available in a metal coil design
- Optional river rock media kit can be added to the existing CRYSTALINE® embers
- Optional coloured glass and GEO Shape media enhancement kits are available
- Approved for bedrooms, bathrooms, bed sitting rooms and mobile homes
- Available in natural gas or propane (LP)
- Backed by the President's Limited Lifetime Warranty

	CLHD45
BTU's (Input)	24,000
Venting	Top 4" & 7"
Glass Type	Tempered
Glass Size	
Height	17 13/16"
Width	40 7/8"
Efficiencies	
EnerGuide	52%
AFUE	-
Steady State	72%
Mobile Home Certified	Yes



	A	B	C	D	E	F	G	H	I	J	K	L	M	N
CLHD45	40 3/16"	25 3/16"	17 13/16"	1 1/4"	4 3/4"	37 3/16"	39 3/16"	40 3/16"	34 1/16"	46 3/4"	18 1/8"	19 1/4"	7" DIA.	4" DIA.



Continental® Gas Fireplaces

Continental® fireplaces offer you a wide selection of gas fireplace products and decorative accessories! Whatever your decor, Continental® fireplaces have the perfect gas fireplace to match any room in your home.

All Continental® products are backed by the President's Limited Lifetime Warranty and are manufactured with care and precision, in order to get you the lasting comfort that you and your loved ones deserve.

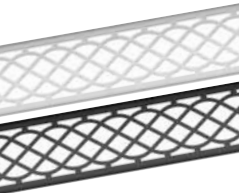


Accessories

It's easy to update the look of your fireplace by simply changing the decorative accessories.

Ornamental Insets

Continental's decorative ornamental insets add a designer's touch.



Satin Chrome Plated Finish

Painted Black Finish

Louvre Overlays

Attach overlays to existing standard painted black louvres.



Polished Brass Finish

Brushed Stainless Steel Finish

Painted Black Finish (standard)

Bevelled Trim Kits

Available in 3" or 6".



Polished Brass Finish

Antique Brass Finish

Brushed Stainless Steel Finish

Textured Painted Black Finish

Contemporary Fronts



Gun Metal Grey Finish

Gloss Black Finish

Four-Sided Frames



Brown Finish

Diamond Dust Pewter Finish

Painted Black Finish

Brushed Stainless Steel Finish

Cast Iron Surrounds

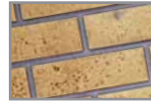


Painted Black Finish

Porcelain Enamel Majolica Brown Finish

Firebox Panel Options

Firebox panels add a masonry or a contemporary feel to your firebox.



Decorative Sandstone Brick



Old Town Red Brick



Mayan Desert Sandstone Brick



Newport Deluxe Decorative Brick



Sandstone Herringbone Brick



Slate Brick



MIRRO-FLAME Ribbed Porcelain Reflective Radiant Panels



MIRRO-FLAME Porcelain Reflective Radiant Panels

Ember beds



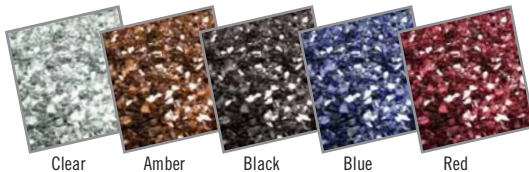
Switch out existing logs to a more contemporary setting with the optional river rock media kit. Available in grey or multi-coloured finishes.



River rock media tray with satin chrome decorative fender comes complete with sand. Available for the CHD35, 40, 46 & CHDX40.

Media Kits

For an exciting alternative you can fill your ember bed with sparkling coloured glass.



Designer Fire Art - Nickel Stix

Nickel Stix add a unique look to the CHD4STG, reflections from over 100 nickel plated surfaces create a myriad of sparkling flame patterns throughout the firebox.



Designer Fire Art - Metal Coil

The Metal Coil was designed to add an interesting art element to the firebox of the CLHD45 and CHD4STG gas fireplaces.



GEO Shapes

The GEO shape media enhancement kit consists of six ceramic GEO shapes (sphere, prism, cube, etc.).



Remote Controls

Remotes with digital read out and modulating control give you the comfort level you need at the touch of a button.



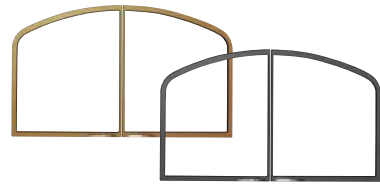
Andirons

Designed to simply stand in front of the logs and give the optimum masonry look and feel. They will fit directly in a bay window, bay front kit or rest inside the firebox. Available in 24 Karat Gold Plated and Painted Black finishes.

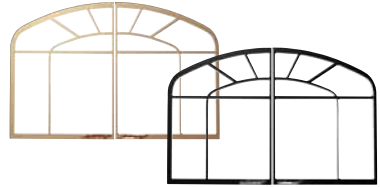


Decorative Door Kits

Available in 24 Karat Gold Plated and Painted Black finishes for the CDV36 and BCDV36 series. Optional safety screens also available.



Arched Door Kit



Webbed Arched Door Kit



Rectangular Door Kit

Zen Modern Door Kit

Available in textured black and gun metal grey finishes for the CHD4ST and CDH4STG.



Gun Metal Grey Finish

Textured Black Finish

Decorative Faceplates

Complete with operable safety screen doors.



CDV70 Arched Door Kit Painted Black Finish.



CHD Series Arched Door Kit Painted Black frame with Wrought Iron finished doors.

Decorative Surrounds

Available in Diamond Dust Pewter or Brown finishes and in Wave*, Concave* or Convex* surrounds.



Brown Finish

Diamond Dust Pewter Finish

Bayfront

Available for the B/CDV33-34, B/CDV36 & CDV70.



	CDV33	CDV34	BCDV33	BCDV34	CDV36	CVF36	BCDV36	BCDV36CF	BCDV42CF	BCDV36CFG	BCDV42	CVF42	BCDV40	CHD4	CDV70	CWHD31	CHD35	CHD40	CHDX40	CHD46	CHD45
Electronic Ignition	0	0	0	0	0	-	0	0	0	S	0	-	S	S	0	S	S	S	S	S	S
Louvre Overlays - Available in Polished Brass & Brushed Stainless Steel finishes	0	0	0	0	0	0	0	-	-	-	-	-	-	-	0	-	-	-	-	-	-
Flush Ornamental Insets - Available in Painted Black & Brushed Stainless Steel finishes	-	-	-	-	0	0	0	-	-	-	-	-	-	-	0	-	-	-	-	-	-
Bay Front Complete with Pull Screen	0	0	0	0	0	0	0	-	-	-	-	-	-	-	0	-	-	-	-	-	-
Bay Louvres - Available in Painted Black, Polished Brass & Brushed Stainless Steel finishes	0	0	0	0	0	0	0	-	-	-	-	-	-	-	0	-	-	-	-	-	-
Four-Sided Frames	-	-	-	-	-	-	-	-	-	-	-	-	-	-	-	-	0	0	0	0	0
3" Bevelled Trim	0	0	0	0	0	0	0	-	-	-	-	-	-	-	0	-	-	-	-	-	-
6" Bevelled Trim	-	-	-	-	0	0	0	-	-	-	-	-	-	-	0	-	-	-	-	-	-
Cast Iron Surrounds	-	-	-	-	0*	0*	0*	-	-	-	0	0	-	-	0	-	-	-	-	-	-
Decorative Surrounds	-	-	-	-	-	-	-	0'	-	0'	-	-	-	0	-	0	-	-	-	-	0
MIRRO-FLAME® Porcelain Reflective Radiant Panels Flat or Ribbed (Ribbed for CHD series only)	0	0	0	0	0	0	0	0	S	S	S	0	-	0	0	-	0	0	0	0	0
Old Town Red® Brick Panels	-	-	-	-	0	-	-	-	-	-	-	-	-	-	0	-	-	-	-	-	-
Sandstone Herringbone Brick Panels	-	-	-	-	0	-	-	-	-	-	-	-	-	-	0	-	-	-	-	-	-
Sandstone Decorative Brick Panels	0	0	-	-	0	0	-	0	-	-	-	0	S	-	0	-	0	0	0	0	-
Mayan Desert® Sandstone Brick Panels	-	-	-	-	-	-	-	-	-	-	-	-	-	-	-	-	0	0	0	0	-
Newport® Deluxe Decorative Brick Panels	-	-	-	-	-	-	-	-	-	-	-	-	-	0	-	-	-	-	0	-	-
Faceplate / Door Kit	-	-	-	-	-	-	-	-	-	-	-	-	-	-	0	-	0	0	0	0	-
Decorative Door Kit	-	-	-	-	0	-	0	-	-	-	-	-	-	0	0	-	-	-	-	-	-
Coloured Glass Media or Media Enhancement Kits - Available in clear, amber, black, blue & red	-	-	-	-	-	-	-	-	-	0	-	-	-	0	-	-	0	0	0	0	0
Grey or multi-coloured River Rock Media Kits	-	-	-	-	0	-	0	0	-	-	-	-	-	-	-	-	0	0	0	0	0
GEO Shapes Media Enhancement Kit	-	-	-	-	-	-	-	-	-	-	-	-	-	-	-	-	0	0	0	0	0
Safety Screen	-	-	-	-	0	S	0	0	-	0	-	S	0	0	-	0	-	-	-	-	†
Andirons Painted Black or 24 Karat Gold Plated finishes	0	0	0	0	0	0	0	0	0	-	0	0	-	-	0	-	0*	0*	0*	0*	-
Blower / Fan Kit	0	0	0	0	0	0	0	0	0	0	0	0	0	-	S	-	0	0	0	0	0
Millivolt Wall Thermostat	0	0	0	0	0	0	0	0	0	0	0	0	0	0	0	0	0	0	0	0	0
On/off or Modulating Remote Controls	0	0	0	0	0	0	0	0	0	0	0	0	0	0	0	0	0	0	0	0	0
Hot Air Distribution / Exhaust Kit	0	0	0	0	0	-	0	0	0	0	0	-	-	-	0	-	0	0	0	0	0

- = Not Available 0= Optional S= Standard †With four-sided surround

#Specific facing required to adapt trim kits to BCDV40 Multi-View units - follow installation instructions *Decorative Surrounds require modified fireplace clearances, can only be used on top exit installations *Painted black finish only

Continental® gas fireplaces are tested to the following standards:

Tested as a heater/wall furnace to both Z21.88 AND CSA 2.33 - CDV33, CDV36, CDV70, CWHD31

Tested to ANSI Z21.50 AND CSA 2.22 - BCDV33, BCDV34, BCDV36CF, BCDV36CFG, BCDV42CF, CDV34, CLHD45

Tested as a heater to ANSI Z21.88 AND CSA 2.33 - BCDV36, BCDV42, BCDV40, CHD35, CHD40, CHDX40, CHD46

Tested as a heater to ANSI Z21.11.2B, Volume II, unvented room heater standard - CVF42, CVF40, CWHVF31



QUALITY PROMISE

All Continental® products are built to the strictest quality standards and only the highest grade materials are used. The computerized production processes, pride in workmanship and serious commitment to our achieved ISO9001-2008 certification, ensure many years of dependable performance.

VERSATILE INSTALLATION

Install in your home above or below grade, in any room even in bedrooms, bathrooms and kitchens. Direct vent models can be vented up to 20 feet horizontally through a wall, 40 feet vertically through the roof or below grade with a periscope. For all direct vent fireplaces we offer the smallest, architecturally pleasing vent terminal in the industry.

MAXIMUM EFFICIENCY

Our sealed combustion technology in our direct vent models uses outside air for combustion eliminating heat loss and cold drafts associated with conventional fireplaces. All Continental® models are designed to maximize efficiency levels with special heat retaining components.

CONVENIENCE

If all the conveniences of gas fireplaces aren't enough, enjoy full relaxation with Continental's remote controls. Available with an easy-to-read backlit digital readout of the room temperature and includes a child proof safety lock.

A RELIABLE ECONOMICAL HEATING SOURCE

Continental® products can save home heating costs by as much as 30% (Zone Heating by heating the rooms you use most) and provide reliable heat during power failures. No power? No problem! Continental's built-in millivolt system or electronic ignition with battery back-up requires no electricity to light or operate.

SAFETY FEATURES

100% SAFE GUARD™ gas control system automatically and quickly shuts off the gas supply for your peace of mind.

HEAT TRANSFERRING CERAMIC GLASS

Ceramic glass provides an excellent temperature transfer allowing maximum heat to radiate into the room. Some models use heat resistant tempered glass.

REALISTIC CERAMIC FIBRE LOGS

Continental's configuration of realistic logs create a cozy and natural wood burning atmosphere.

RELIABLE BURNER SYSTEM & ADJUSTABLE FLAME

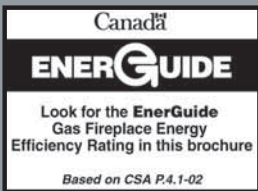
Our advanced YELLOW DANCING FLAMES™ provide maximum heat and flame pattern. For less heat, simply reduce the input with the built-in flame/heat adjustment for maximum comfort and efficiency.

ENVIRONMENTALLY FRIENDLY

Clean burning, convenient natural gas or propane provides an environmentally safe energy source - indoors and outdoors. Continental® products are designed to provide an environmentally friendly energy source.

OTHER PRODUCTS AVAILABLE

Other products available through your authorized Continental® dealer - Waterfalls, Patio Heaters, Electric Fireplaces, Mantels, Outdoor Living Products and ULTRA CHEF™ Grills.



ENERGUIDE - A Canadian efficiency standard based on frequent, short start-up and cool-down cycles. All appliances sold in Canada are subject to this EnerGuide rating system. AFUE - A US efficiency standard (Department of Energy) based on extended on/off cycles, more typical of fireplace usage. STEADY STATE - Reflects the highest possible overall heating efficiency. Years of research, design and testing have enhanced optimum performance allowing Continental® products to achieve some of the highest heater rating efficiencies on the market. Our products continuously surpass industry standards not only in appearance but in efficiency and performance.

Consult your owner's manual for complete installation instructions, accurate framing dimensions and proper clearances to combustible materials. Installations shown may not be accurate to code. Check all local and national building codes and gas regulations. Products may not be exactly as shown. Flame height and activity is influenced by varying vent configurations and may not appear as shown. All specifications are subject to change without prior notice due to on-going product improvements. BTU's listed in brochure reflect natural gas applications. Continental® is a registered trademark of Wolf Steel Ltd. © Wolf Steel Ltd.



- 103 Miller Drive, Crittenden, Kentucky, USA 41030
- 24 Napoleon Road, Barrie, Ontario, Canada L4M 0G8
- 7200 Trans Canada Highway, Montreal, Quebec, Canada H4T 1A3

Tel: (705) 721-1212 Fax: (705) 722-6031
continentalfireplaces.com



Authorized Dealer